

Chameleon Portable

Specifications



Chameleon quality

The core of the Chameleon range is formed by the whiteboard. A Chameleon whiteboard can be recognized for its quality, which is visible in four ways:

1. Durability: Chameleon whiteboards are 10 mm thick with a robust, water-repellent MDF core (FSC-certified, see sustainability).
2. Surface: Chameleon whiteboards feature high-quality magnetic enamel steel, recognizable by a smooth surface without imperfections. We offer a lifetime warranty on writing and erasing on all enamel surfaces. Below is an overview of our enamel surface options.
3. Finish: Chameleon whiteboards are machine-cut and then hand-finished. We pay great attention to the finishing process.
4. Installation: Chameleon uses a unique TÜV-certified mounting system that works with magnetic plates.



Chameleon surfaces

What is Ceramic Steel?

All Chameleon surfaces on this page feature a top layer of ceramic steel. This is an enamel layer that, in terms of hardness and smoothness, is comparable to glass. So, it's just as scratch-resistant and has the same long lifespan. Chameleon offers the following ceramic steel surfaces:

High Gloss

This is the most popular whiteboard surface. It has a high gloss level, though slightly less than glass whiteboards. The benefit of the glossy surface is that markings are perfectly visible, making it ideal for presentations and situations where reading from a distance is important, such as in schools.

SatinTones

SatinTones is a ceramic steel surface with a matte finish. The surface exudes calmness and is perfectly readable from all viewing angles. Additionally, this surface is available in six subtle color shades. SatinTones is a good alternative to glass whiteboards.

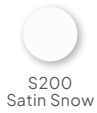
Chalk

Choosing a chalkboard comes with specific reasons. The most important is that chalk allows for nuances by pressing harder or softer. Chameleon chalkboard surfaces, like the whiteboard surfaces, are made with ceramic steel. This ensures that Chameleon chalkboards can be wiped clean perfectly, even after long use. The matte surfaces are available in green and gray.

Projection

This extremely matte surface shows no reflections. Projecting on this board delivers the best possible image quality from projectors. The board is writable, but erasing is more difficult. However, with the use of whiteboard spray, it can be cleaned effectively.

General



Size (cm)	Size	Art. no.	Gross Weight	Net Weight
82 x 82	M	15300.001 (+ code)	10,4	5,4
82 x 112	L	15300.002 (+ code)	13,55	7,55
Ø 8,8 (Additional wall knob)	-	76001.040 (+ code)	0,6	0,5

Technical

Size M

Properties:

- Double-sided magnetic and dry-erasable
- Suitable for very intensive use
- Portable with a genuine buffalo leather carrying strap
- Rubber finish absorbs shocks

Dimension

Outer dimensions excluding knob: 828 x 828 x 42 mm
Outer dimensions including knob: 958 (± 30 mm) x 828 x 42 mm

Assembly:

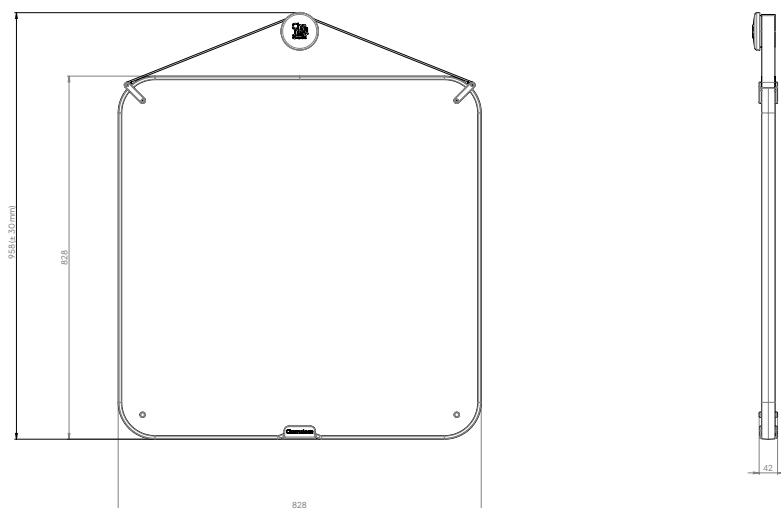
On the wall knob, held in place by magnets on the wall

Warranty:

2 years

Surface Warranty:

Lifetime warranty on writability and dry erasability



Technical

Size L

Properties:

- Double-sided magnetic and dry-erasable
- Suitable for very intensive use
- Portable with a genuine buffalo leather carrying strap
- Rubber finish absorbs shocks

Dimension

Outer dimensions, portrait, excluding knob: 1128 x 832 x 42 mm
Outer dimensions, landscape, excluding knob: 828 x 1132 x 42 mm
Outer dimensions, portrait, including knob: 1270 (± 30 mm) x 832 x 42 mm
Outer dimensions, landscape, including knob: 958 (± 30 mm) x 828 x 42 mm

Assembly:

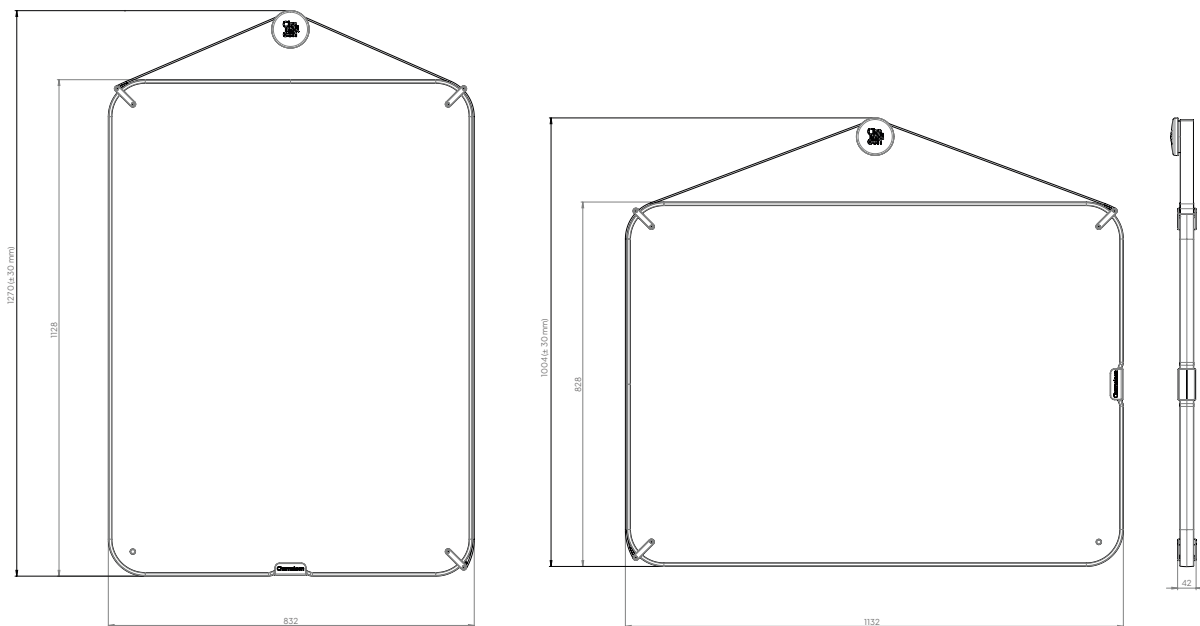
On the wall knob, held in place by magnets on the wall

Warranty:

2 years

Surface Warranty:

Lifetime warranty on writability and dry erasability



Construction

Surface 1:	Ceramic steel 0,4 mm (Indoor Air Quality Certified to SCS-EC10.3-2014 v4.0)
Substrate:	25 mm lightweight foam board
Surface 2:	Emaillestaal 0,4 mm (Indoor Air Quality Certified to SCS-EC10.3-2014 v4.0)
Edge finishing:	Rubber edge
Carrying strap:	Genuine buffalo leather
Carrying knob:	Black plastic

Packaging

Type:	Crate
Content:	Chameleon Portable, wall knob, assembly manual
Packaging unit:	1 package
Materials:	Wood, corrugated cardboard, foam buffer
Dimensions:	Size M: ± 1006 x 958 x 80 mm Size L: ± 1006 x 1262 x 80 mm Size XL: ± 1006 x 1862 x 80 mm

