

Chameleon Portable

Specifications



General

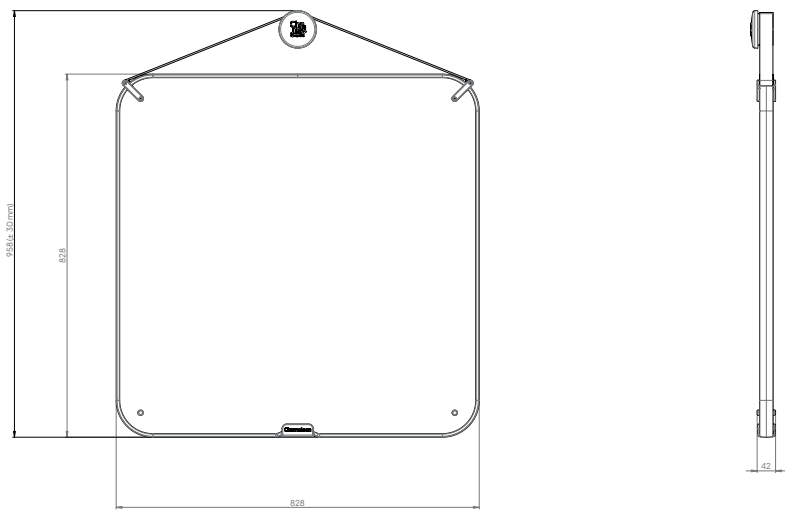


Dimensions (cm)	Size	Article number	Gross weight	Nett weight
82 x 82	M	15300.001 (+ code)	10,4	5,4
82 x 112	L	15300.002 (+ code)	13,55	7,55
82 x 172	XL	15300.003 (+ code)	20	11,5
Ø 8,8 (Extra wall knob)	-	76001.040 (+ code)	0,6	0,5

Technical

Size M

Properties:	<ul style="list-style-type: none"> - Double-sided magnetic and dry-erasable - Suitable for very intensive use - Portable with a genuine buffalo leather carrying strap - Rubber finish absorbs shocks
Dimension	<p>Outer dimensions excluding knob: 828 x 828 x 42 mm</p> <p>Outer dimensions including knob: 958 (± 30 mm) x 828 x 42 mm</p>
Assembly:	On the wall knob, held in place by magnets on the wall
Warranty:	2 years
Surface Warranty:	Lifetime warranty on writability and dry erasability



Technical

Size L

Properties:

- Double-sided magnetic and dry-erasable
- Suitable for very intensive use
- Portable with a genuine buffalo leather carrying strap
- Rubber finish absorbs shocks

Dimension

Outer dimensions, portrait, excluding knob: 1128 x 832 x 42 mm
Outer dimensions, landscape, excluding knob: 828 x 1132 x 42 mm
Outer dimensions, portrait, including knob: 1270 (± 30 mm) x 832 x 42 cm
Outer dimensions, landscape, including knob: 958 (± 30 mm) x 828 x 42 mm

Assembly:

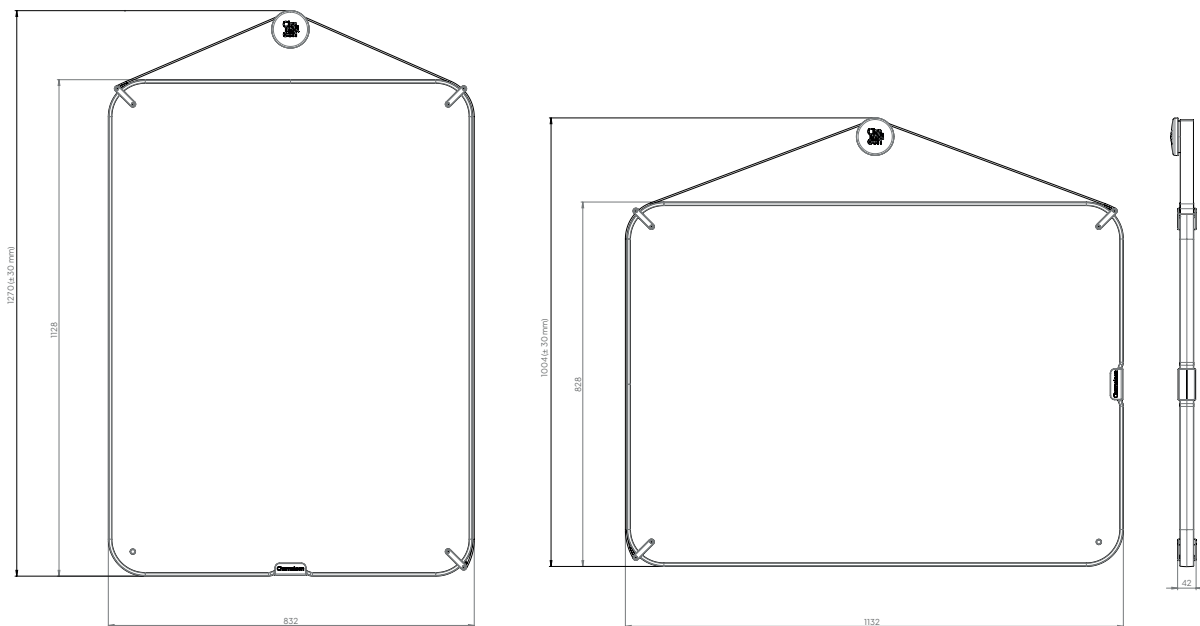
On the wall knob, held in place by magnets on the wall

Warranty:

2 years

Surface Warranty:

Lifetime warranty on writability and dry erasability



Technical

Size XL

Properties:

- Double-sided magnetic and dry-erasable
- Suitable for very intensive use
- Portable with a genuine buffalo leather carrying strap
- Rubber finish absorbs shocks

Dimension

Outer dimensions, portrait, excluding knob: 1728 x 832 x 42 mm
Outer dimensions, landscape, excluding knob: 828 x 1732 x 42 mm
Outer dimensions, portrait, including knob: 1970 (± 30 mm) x 832 x 42 cm
Outer dimensions, landscape, including knob: 1054 (± 30 mm) x 1732 x 42 mm

Assembly:

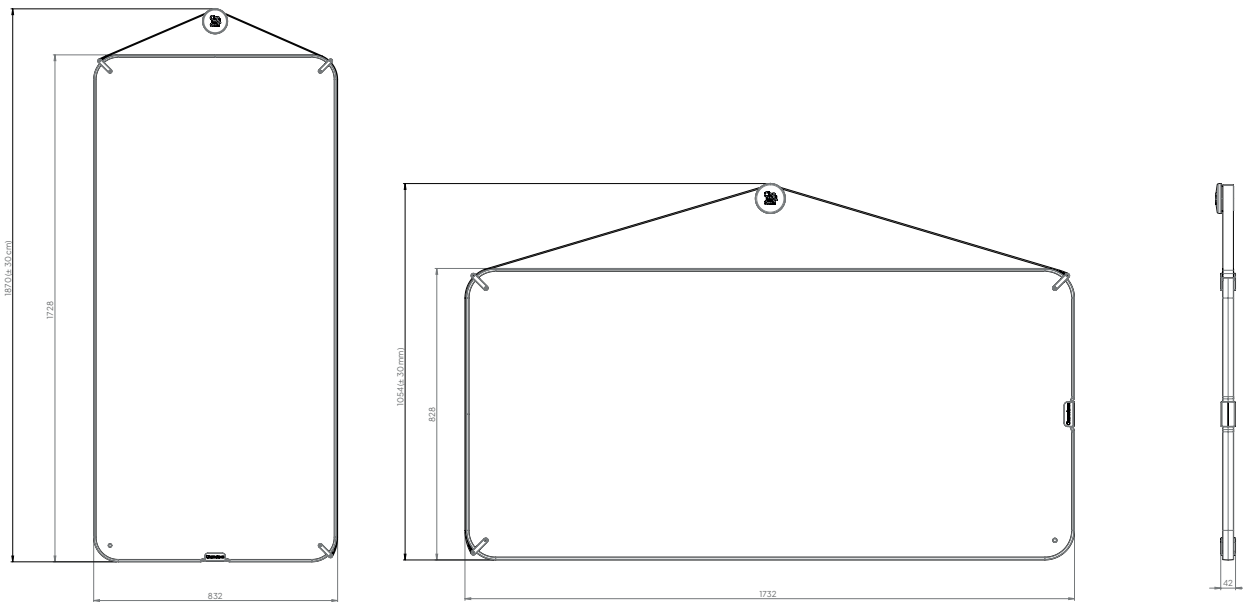
On the wall knob, held in place by magnets on the wall

Warranty:

2 years

Surface Warranty:

Lifetime warranty on writability and dry erasability



Construction

Surface 1:	Enamel-coated steel 0.4 mm (Indoor Air Quality Certified to SCS-EC10.3-2014 v4.0)
Substrate:	25 mm lightweight foam board
Surface 2:	Enamel-coated steel 0.4 mm (Indoor Air Quality Certified to SCS-EC10.3-2014 v4.0)
Edge finishing:	Rubber edge
Carrying strap:	Genuine buffalo leather
Carrying knob:	Black plastic

Packaging

Type:	Crate
Content:	Chameleon Portable, wall knob, assembly manual
Packaging unit:	1 package
Materials:	Wood, corrugated cardboard, foam buffer
Dimensions:	Size M: ± 1006 x 958 x 80 mm Size L: ± 1006 x 1262 x 80 mm Size XL: ± 1006 x 1862 x 80 mm

